

CGI SYSTEM OUTLET STATION

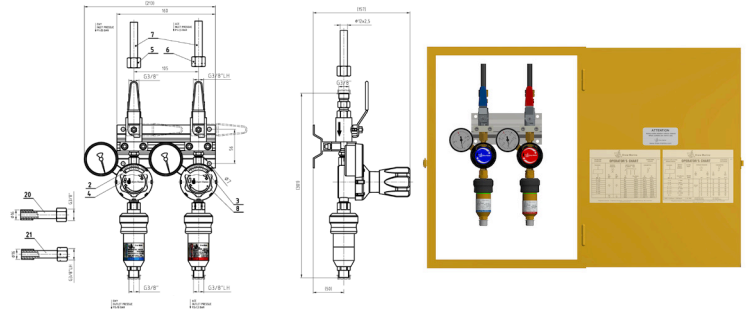


DESCRIPTION

This outlet station consists of inlet ball shut-off valve, regulator with pressure gauge and backfire valve.

APPLICATIONS

Positioned at the end of a Central Gas Supply Installation, this station is designated to reduce the supply pressure level. Assembled into a protection case, oxygen and acetylene tubing can be connected.



SYSTEM HIGHLIGHTS

- Simple, robust and case protected gas outlet station
- Oxygen & acetylene backfire valve are inside the protected outlet station

(see enlarged image on back)

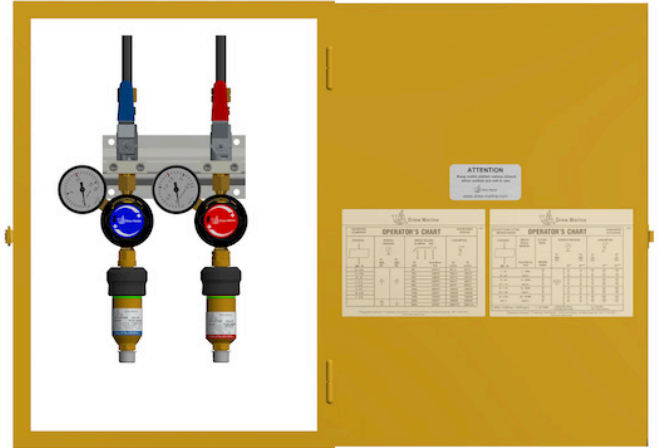
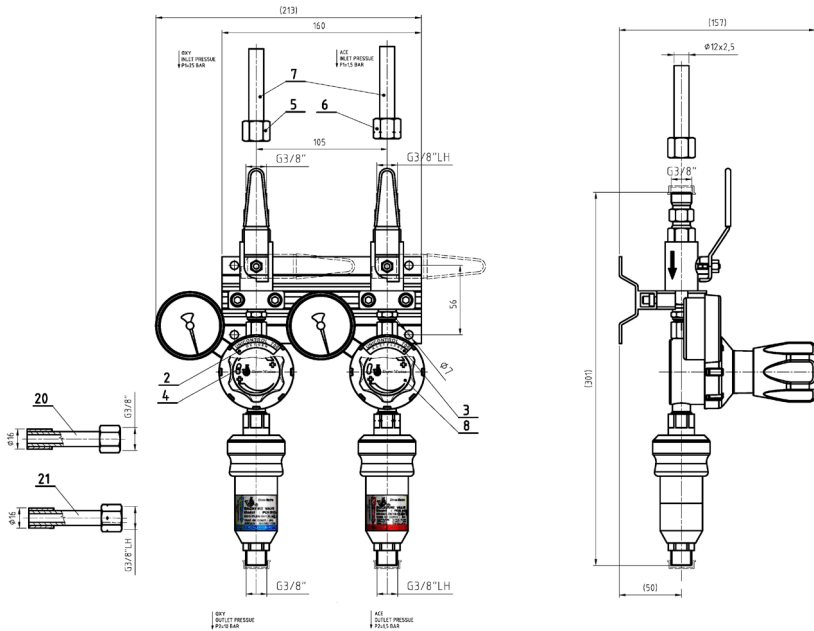
TECHNICAL DATA

Regulator

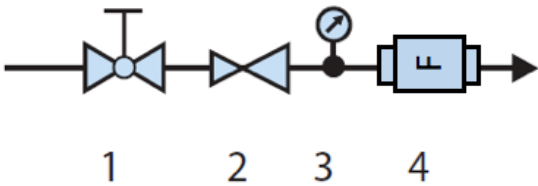
O ₂ Maximal Flowrate	70 m ³ /h
O ₂ Inlet Pressure	max. 40 bar
O ₂ Adjustment Range	0 - 10 bar
AC Maximal Flow	8,0 m ³ /h,
AC Inlet Pressure	max. 1,5 bar
AC Adjustment Range	0 - 1,5 bar
Body Material	Brass CuZn40 Pb ₂ (2.0402)
Seat Material	Perbunan 79
Diaphragm	Perbunan 79, NBR 641
Safety Gauges	acc. to ISO 5171
Inlet Ball Valves	acc. to DIN 32509
Ball Valve Sealing	PTFE, chambered with burnout protection
Safety Device (backfire valves)	acc. ISO 730-1



Contact your Drew Marine representative for more information



FLOW SCHEME



ORDERING INFORMATION

Part No.	Component	PCN
	CGI Outlet Station with steel cabinet	0782020
	CGI Outlet Station without steel cabinet	0782004
1	Ball shut-off valve	0747004
2	Outlet Station Regulator, Oxygen	0794009
2	Outlet Station Regulator, Acetylene	0795007
3	Content Gauge, Oxygen	0552019
3	Content Gauge, Acetylene	0550013
4	Backfire Valve, Oxygen	0549024
4	Backfire valve, Acetylene	0548026
	Plycard for Outlet station	9076036

▶ **Contact your Drew Marine representative for more information**

Drew Marine maintains Safety Data Sheets on all of its products. These documents contain health and safety information for the development of appropriate product handling procedures to protect your employees. Safety Data Sheets should be read and understood by all of your supervisory personnel and employees before using Drew Marine products.



Drew Marine®

**100 South Jefferson Road
Whippany, NJ 07981 USA
1-973-526-5700
Drew-Marine.com**

Copyright © Drew Marine. All Rights Reserved. All statements, information and data presented herein are believed to be accurate and reliable but are not to be taken as a guarantee, express warranty or implied warranty of merchantability or fitness for a particular purpose, or representation, express or implied, for which seller assumes legal responsibility, and they are offered solely for your consideration, investigation and verification. Statements or suggestions concerning possible use of this product are made without representation or warranty that any such use is free of patent infringement and are not recommendations to infringe on any patent.