

CGI SYSTEM FOR 3 ACETYLENE CYLINDERS WITH RACK



DESCRIPTION

All component are carefully selected and according to rules and regulations for the specific condition found on board. The CGI Manyflow system two or three cylinder inputs, each with a integral check valve. This system makes it easy for the user to connect the steel hose outlet nipple to the gas apparatus due to the outlet coil.

The Central Gas Installation System consists of a high pressure hose with safety wire, manyflow valve block, CGI regulator with pressure relieve valve, backfire valve, stainless steel outlet coil and outlet connection nipple for welding onto low pressure pipe line.

APPLICATIONS

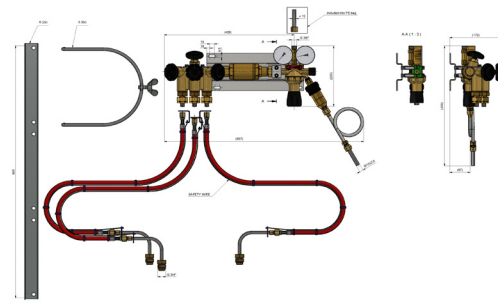
Pressurize cylinder are heavy and dangerous to move around. By having our Drew Marine Central Gas Installation System, movement of pressurize cylinder are minimize and cylinders can be kept safely in 1 designated location on the upper most continuous deck. Gas is piped to outlet station at location where the gas are needed.

SYSTEM HIGHLIGHTS

- 3 cylinders
- Established marine standards
- Continuous gas supply
- Modular designed Manyflow valve block acc. to ISO 15615
- Inlet check valves
- High pressure shut-off valves acc. to ISO 15615
- Integrated metal inlet filters
- High pressure hoses with safety wire comply to ISO 14113
- Automatic quick action shut-off valve comply to ISO 14113
- Backfire valve comply to ISO 730-1
- Cylinder Rack Assembly for 3 cylinder.

PARAMETERS FOR CGI SYSTEM FOR 3 ACETYLENE CYLINDERS

Nominal flow:	5 m ³ /h
Max. flow:	8 m ³ /h
Inlet pressure:	max. 25 bar
Outlet pressure:	1,5 bar



(see enlarged image on back)

TECHNICAL DATA

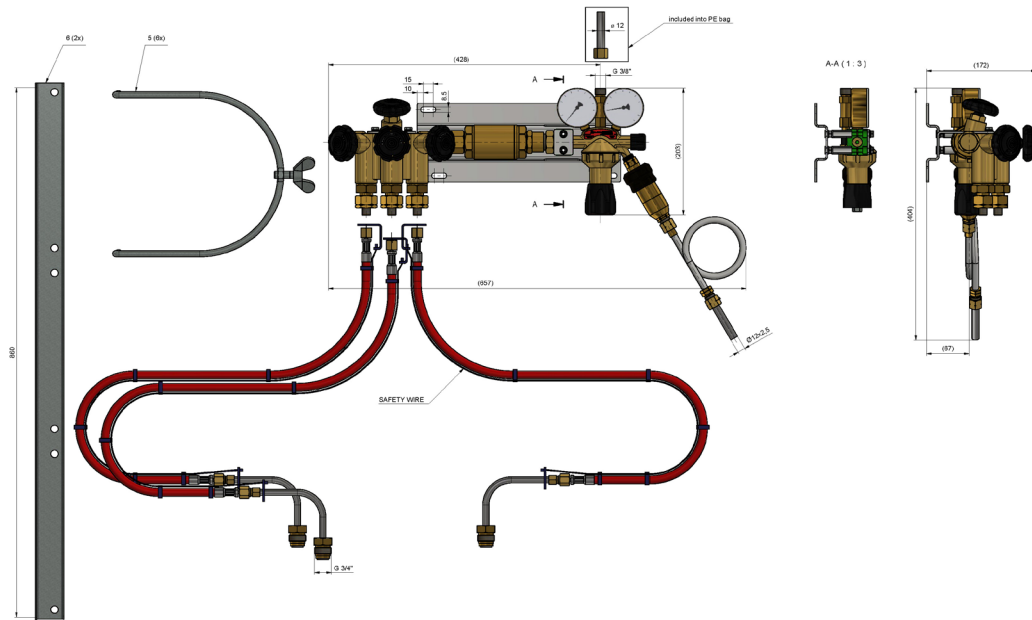
Gas Purity	up to 4.6
Pressure Regulator Housing	Brass 2.0402 CuZn40Pb ₂
Seat Sealing	Chloropren rubber
Regulator Diaphragm	EPDM
Safety Relief Valve	opening pressure 2 - 2,5 bar
Working Temperature	-20 to 60 °C / -4 to 140°F
Pressure Gauges	Safety version [bar/psi] ISO 5171/EN 562
High Pressure Hose with Safety Wire	PTFE, Working pressure 25 bar, test pr. 600 bar
Cylinder Clamp	Zinc plated steel
Cylinder Bracket	Stainless steel
Outlet Coil	Welding nipple 12 x 2,5 mm
Automatic quick action shut-off valve	Max inlet pressure 25 bar
Backfire Valve, Acetylene	Safety features : Gas non return valve Pressure sensitive cut off valve Flame arrestor Temperature sensitive cut off valve

TECHNICAL DATA

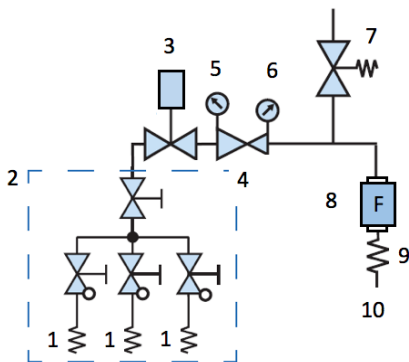
Body Material	Brass CuZn40 Pb ₂ (2.0402)
Hand Wheel Material	impact resistant MARANYL
Non-Return Valves	3x inlet
Inlet	3x G1/4"LH
Outlet	W21,8 x 1/14" RH
Shut-Off Valves	3x single valve and 1 central valve
Inlet Filter	3x sintered metal filter
Quality Control	EN ISO 15615 facilities for HP Acetylene



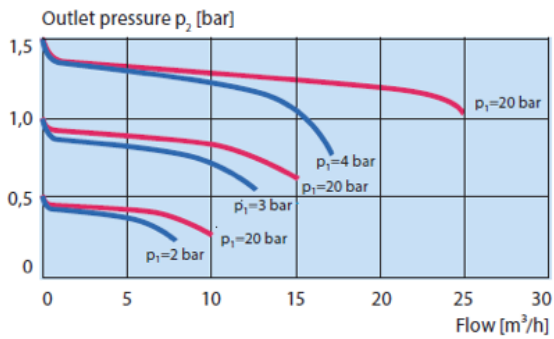
Contact your Drew Marine representative for more information



FLOW SCHEME



PERFORMANCE



ORDERING INFORMATION

Part No.	Component	PCN
	CGI System for 3 Acetylene with rack	2204014
1	High Pressure Hose with Safety Wire	0787012
2	CGI Many flow valve block with check valve	—
3	Automatic quick action shut-off valve	0744046
4	CGI Regulator	0518011
5	Content Gauge	0550013
6	Working Gauge	0551011
7	Pressure Relief valve	—
8	Backfire valve	0548026
9	Outlet Coil Stainless Steel	0732025
10	Outlet Coil Connection	9060013
	Plycard CGI Acetylene	9076010
	Plycard Gas Welding safety	9076051
	CGI Pipe Clamp	9006017
	CGI Pipe penetration bushing	9008013
	Cylinder Rack Assembly for 1 Cyl	9041013
	Cylinder Rack Assembly for 2 Cyl	9042011
	Cylinder Rack Assembly for 3 Cyl	9043019



Contact your Drew Marine representative for more information

Drew Marine maintains Safety Data Sheets on all of its products. These documents contain health and safety information for the development of appropriate product handling procedures to protect your employees. Safety Data Sheets should be read and understood by all of your supervisory personnel and employees before using Drew Marine products.



Drew Marine®

**100 South Jefferson Road
Whippany, NJ 07981 USA
1-973-526-5700
Drew-Marine.com**

Copyright © Drew Marine. All Rights Reserved. All statements, information and data presented herein are believed to be accurate and reliable but are not to be taken as a guarantee, express warranty or implied warranty of merchantability or fitness for a particular purpose, or representation, express or implied, for which seller assumes legal responsibility, and they are offered solely for your consideration, investigation and verification. Statements or suggestions concerning possible use of this product are made without representation or warranty that any such use is free of patent infringement and are not recommendations to infringe on any patent.