

# CGI SYSTEM FOR 2 OXYGEN CYLINDERS WITH RACK



## DESCRIPTION

All component are carefully selected and according to rules and regulations for the specific condition found on board. The CGI Manyflow system two cylinder inputs, each with a integral check valve. This system makes it easy for the user to connect the steel hose outlet nipple to the gas apparatus due to the outlet coil.

The Central Gas Installation System consists of a high pressure hose with safety wire, closing ball valve, CGI regulator, backfire valve, stainless steel outlet coil and outlet connection nipple for welding onto low pressure pipe line.

## APPLICATIONS

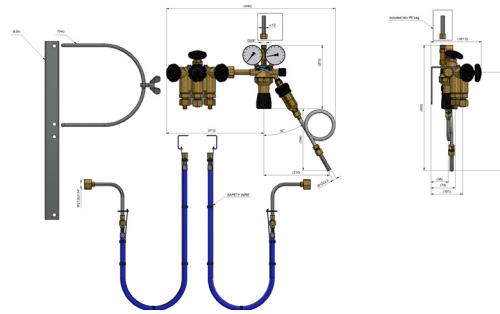
Pressurize cylinder are heavy and dangerous to move around. By having our Drew Marine Central Gas Installation System, movement of pressurize cylinder are minimize and cylinders can be kept safely in 1 designated location on the upper most continuous deck. Gas is piped to outlet station at location where the gas are needed.

## SYSTEM HIGHLIGHTS

- 2 cylinders
- Established marine standards
- Continuous gas supply
- Modular designed Manyflow valve block
- Unintended re-filling excluded by inlet check valves
- High pressure shut-off valves
- High pressure hoses with safety wire comply to ISO 14113
- Backfire valve comply to ISO 5175

## PARAMETERS FOR CGI SYSTEM FOR 2 OXYGEN CYLINDERS

Nominal flow:	30 m <sup>3</sup> /h
Max. flow:	40 m <sup>3</sup> /h
Inlet pressure:	max. 200 bar
Outlet pressure:	10 bar



(see enlarged image on back)

## TECHNICAL DATA

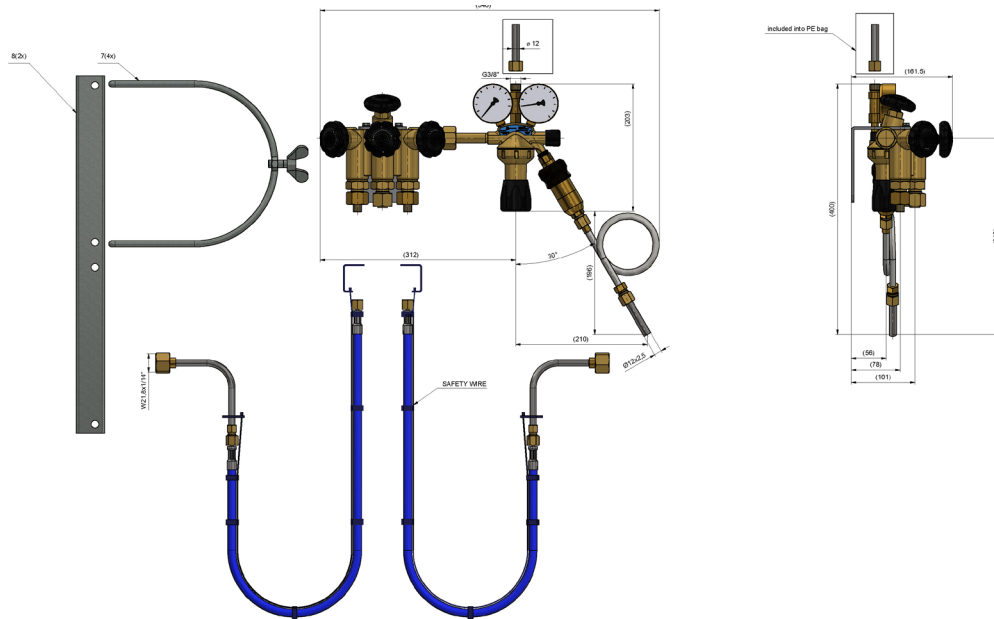
Gas Purity	up to 4.6
Pressure Regulator Housing	Brass 2.0402 CuZn40Pb <sub>2</sub>
Seat Sealing	PA 6.6
Regulator Diaphragm	EPDM
High pressure valve	acc. to TPED
Safety Relief valve	opening pressure 15 - 17 bar
Working temperature	-30 to 60 °C / -22 to 140 °F
Pressure gauges	safety version [bar/psi] ISO 5171/EN 562
High Pressure Hose with Safety Wire	PTFE 200 bar, 600 bar test pressure
Cylinder clamp	Zinc plated steel
Cylinder bracket	stainless steel
Cylinder bracket	welding nipple 12 x 2,5 mm
Backfire Valve, Acetylene	Safety features : Gas non return valve Pressure sensitive cut off valve Flame arrestor Temperature sensitive cut off valve

## TECHNICAL DATA MANYFLOW BLOCK

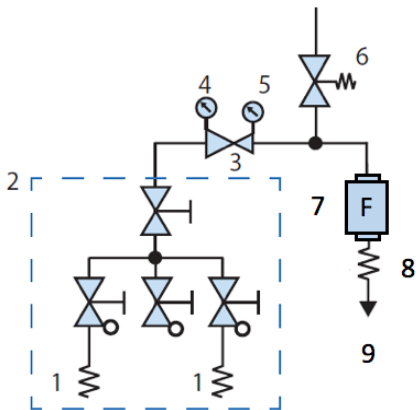
Body Material	Brass CuZn40 Pb <sub>2</sub> (2.0402)
Non-Return Valves	3x inlet
Inlet	2x G1/4" rh, 1x plugged
Input filter	3x Monel fine filter
Inlet shut-off valves	3x single valve, 1x central valve
Hand wheel material	impact resistant MARANYL
Outlet Coil	W21,8 x1/14" rh male
Quality control	Oxygen shock resistant at 360 bar and 60 °C



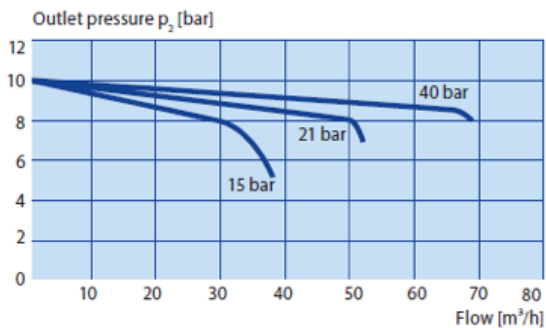
Contact your Drew Marine representative for more information



## FLOW SCHEME



## PERFORMANCE



## ORDERING INFORMATION

Part No.	Component	PCN
	CGI System for 2 Oxygen with rack	2207018
1	High Pressure hose with safety wire	0783010
2	CGI Many flow valve block with check valve	-
3	CGI Regulator	0741018
4	Content Gauge	0552019
5	Working Gauge	0553017
6	Pressure Relief valve	-
7	Backfire valve	0549024
8	Outlet Coil stainless steel	0520024
9	Outlet Coil connection	9061011
	Plycard CGI Oxygen	9076028
	Plycard Gas Welding safety	9076051
	CGI Pipe clamp	9006017
	CGI Pipe penetration bushing	9008013
	Cylinder Rack assembly for 1 Cyl	9041013
	Cylinder Rack assembly for 2 Cyl	9042011
	Cylinder Rack assembly for 3 Cyl	9043019



Contact your Drew Marine representative for more information

Drew Marine maintains Safety Data Sheets on all of its products. These documents contain health and safety information for the development of appropriate product handling procedures to protect your employees. Safety Data Sheets should be read and understood by all of your supervisory personnel and employees before using Drew Marine products.



# **Drew Marine®**

**100 South Jefferson Road  
Whippany, NJ 07981 USA  
1-973-526-5700  
Drew-Marine.com**

---

Copyright © Drew Marine. All Rights Reserved. All statements, information and data presented herein are believed to be accurate and reliable but are not to be taken as a guarantee, express warranty or implied warranty of merchantability or fitness for a particular purpose, or representation, express or implied, for which seller assumes legal responsibility, and they are offered solely for your consideration, investigation and verification. Statements or suggestions concerning possible use of this product are made without representation or warranty that any such use is free of patent infringement and are not recommendations to infringe on any patent.

CGI System for 2 Oxygen Cylinders with Rack-0414-R1