

CGI SYSTEM FOR 1 OXYGEN CYLINDER WITH RACK



DESCRIPTION

All component are carefully selected and according to rules and regulations for the specific condition found on board. This system makes it easy for the user to connect the steel hose outlet nipple to the gas apparatus due to the outlet coil.

The Central Gas Installation System consists of a high pressure hose with safety wire, closing ball valve, CGI regulator, backfire valve, stainless steel outlet coil and outlet connection nipple for welding onto low pressure pipe line.

APPLICATIONS

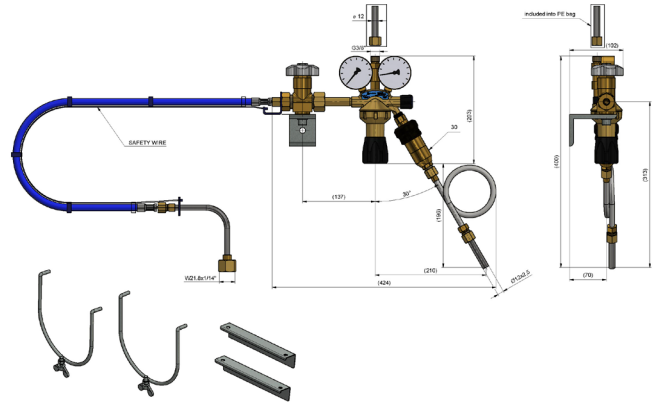
Pressurize cylinder are heavy and dangerous to move around. By having our Drew Marine Central Gas Installation System, movement of pressurize cylinder are minimize and cylinders can be kept safely in 1 designated location on the upper most continuous deck. Gas is piped to outlet station at location where the gas are needed.

SYSTEM HIGHLIGHTS

- 1 cylinder
- Established marine standards
- High pressure shut-off valve
- High pressure hoses with safety wire comply to ISO 14113
- Backfire valve comply to ISO 5175

PARAMETERS FOR CGI SYSTEM FOR 1 OXYGEN CYLINDER

| | |
|------------------|----------------------|
| Nominal flow: | 30 m ³ /h |
| Max. flow: | 40 m ³ /h |
| Inlet pressure: | max. 200 bar |
| Outlet pressure: | 10 bar |



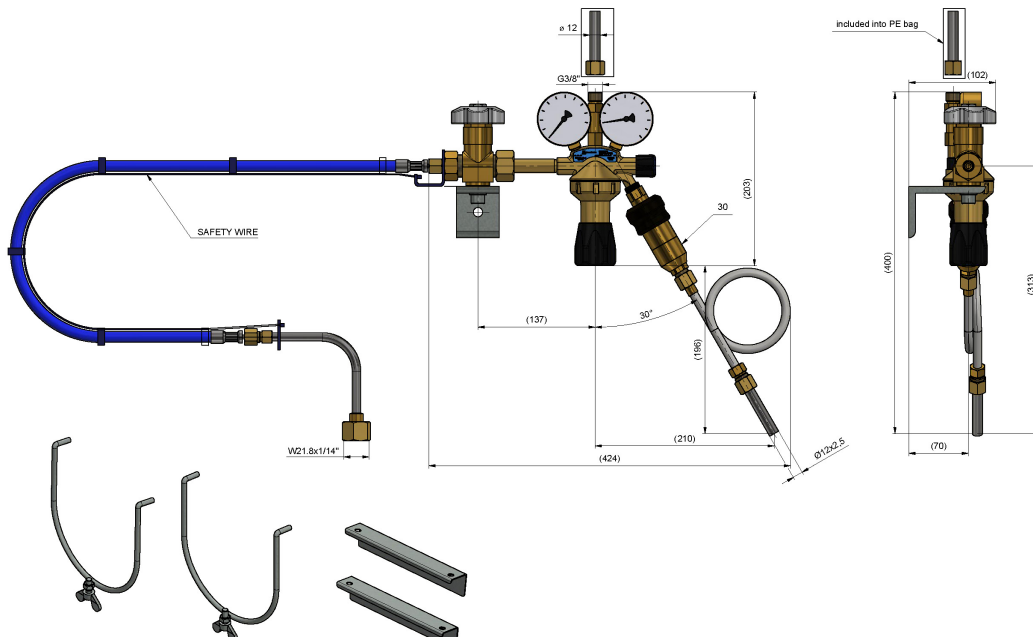
(see enlarged image on back)

TECHNICAL DATA

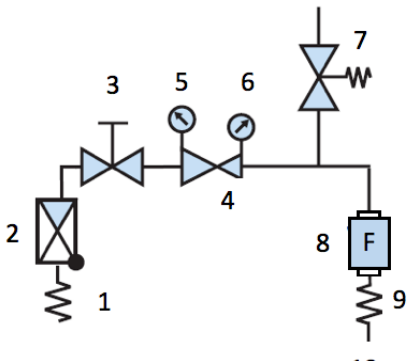
| | |
|-------------------------------------|--|
| Gas Purity | up to 4.6 |
| Pressure Regulator Housing | Brass 2.0402 CuZn40Pb ₂ |
| Seat Sealing | PA 6.6 |
| Regulator Diaphragm | EPDM |
| High pressure valve | acc. to TPED |
| HP hand wheel material | impact resistant MARANYL/Aluminium |
| HP valve material | brass 2.0402 |
| Safety Relief valve | opening pressure 15 - 17 bar |
| Working temperature | -30 to 60 °C / -22 to 140 °F |
| Pressure gauges | safety version [bar/psi] ISO 5171/EN 562 |
| High Pressure Hose with Safety Wire | PTFE 200 bar, 600 bar test pressure |
| Cylinder clamp | Zinc plated steel |
| Cylinder bracket | stainless steel |
| Outlet Coil | welding nipple 12 x 2,5 mm |
| Backfire Valve, Acetylene | Safety features : Gas non return valve Pressure sensitive cut off valve Flame arrestor Temperature sensitive cut off valve |



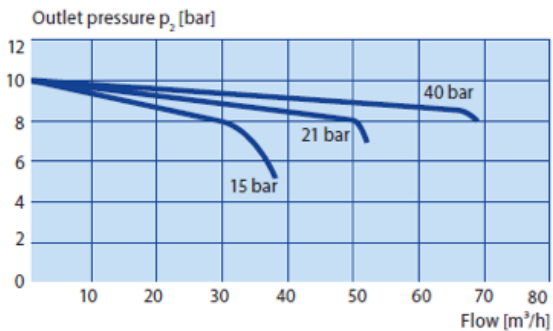
Contact your Drew Marine representative for more information



FLOW SCHEME



PERFORMANCE



ORDERING INFORMATION

| Part No. | Component | PCN |
|----------|-------------------------------------|---------|
| | CGI System for 1 Oxygen with rack | 2206010 |
| 1 | High Pressure hose with safety wire | 0783010 |
| 2 | Non Return valve | - |
| 3 | CGI Closing valve | - |
| 4 | CGI Regulator | 0741018 |
| 5 | Content Gauge | 0552019 |
| 6 | Working Gauge | 0553017 |
| 7 | Pressure Relief valve | - |
| 8 | Backfire valve | 0549024 |
| 9 | Outlet Coil stainless steel | 0520024 |
| 10 | Outlet Coil connection | 9061011 |
| | Plycard CGI Oxygen | 9076028 |
| | Plycard Gas Welding safety | 9076051 |
| | CGI Pipe clamp | 9006017 |
| | CGI Pipe penetration bushing | 9008013 |
| | Cylinder Rack assembly for 1 Cyl | 9041013 |
| | Cylinder Rack assembly for 2 Cyl | 9042011 |
| | Cylinder Rack assembly for 3 Cyl | 9043019 |



Contact your Drew Marine representative for more information

Drew Marine maintains Safety Data Sheets on all of its products. These documents contain health and safety information for the development of appropriate product handling procedures to protect your employees. Safety Data Sheets should be read and understood by all of your supervisory personnel and employees before using Drew Marine products.



Drew Marine®

**100 South Jefferson Road
Whippany, NJ 07981 USA
1-973-526-5700
Drew-Marine.com**

Copyright © Drew Marine. All Rights Reserved. All statements, information and data presented herein are believed to be accurate and reliable but are not to be taken as a guarantee, express warranty or implied warranty of merchantability or fitness for a particular purpose, or representation, express or implied, for which seller assumes legal responsibility, and they are offered solely for your consideration, investigation and verification. Statements or suggestions concerning possible use of this product are made without representation or warranty that any such use is free of patent infringement and are not recommendations to infringe on any patent.