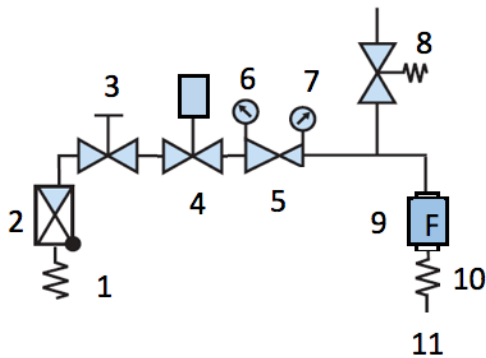
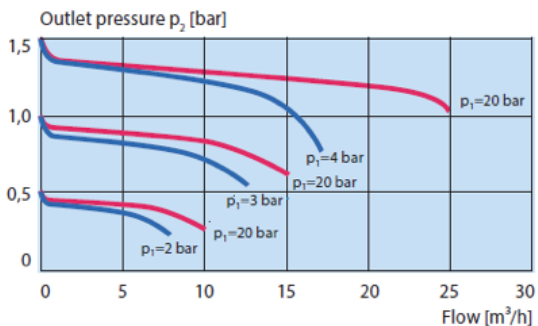


FLOW SCHEME



PERFORMANCE



ORDERING INFORMATION

Part No.	Component	PCN
	CGI System for 1 Acetylene with rack	2202018
1	High Pressure Hose with Safety Wire	0787012
2	Non return valve	—
3	CGI Closing Valve	—
4	Automatic quick action shut-off valve	0744038
5	CGI Regulator	0518011
6	Content Gauge	0550013
7	Working Gauge	0551011
8	Pressure Relief valve	—
9	Backfire valve	0548026
10	Outlet Coil Stainless Steel	0732025
11	Outlet Coil Connection	9060013
	Plycard CGI Acetylene	9076010
	Plycard Gas Welding Safety	9076051
	CGI Pipe Clamp	9006017
	CGI Pipe penetration bushing	9008013
	Cylinder Rack Assembly for 1 Cyl	9041013
	Cylinder Rack Assembly for 2 Cyl	9042011
	Cylinder Rack Assembly for 3 Cyl	9043019



Contact your Drew Marine representative for more information

Drew Marine maintains Safety Data Sheets on all of its products. These documents contain health and safety information for the development of appropriate product handling procedures to protect your employees. Safety Data Sheets should be read and understood by all of your supervisory personnel and employees before using Drew Marine products.



Drew Marine®

**100 South Jefferson Road
Whippany, NJ 07981 USA
1-973-526-5700
Drew-Marine.com**

Copyright © Drew Marine. All Rights Reserved. All statements, information and data presented herein are believed to be accurate and reliable but are not to be taken as a guarantee, express warranty or implied warranty of merchantability or fitness for a particular purpose, or representation, express or implied, for which seller assumes legal responsibility, and they are offered solely for your consideration, investigation and verification. Statements or suggestions concerning possible use of this product are made without representation or warranty that any such use is free of patent infringement and are not recommendations to infringe on any patent.