

CGI SUB ASSEMBLY FOR 2 TO 3 OXYGEN CYLINDERS



DESCRIPTION

This gas supply sub-system with 2 high pressure hoses, Manyflow valve block and extension pipe shall be wall mounted using the provided bracket. The CGI Manyflow system uses a unique, unit-body, 3-gas control that accommodates two or three cylinder inputs, each with a integral check valve.

APPLICATIONS

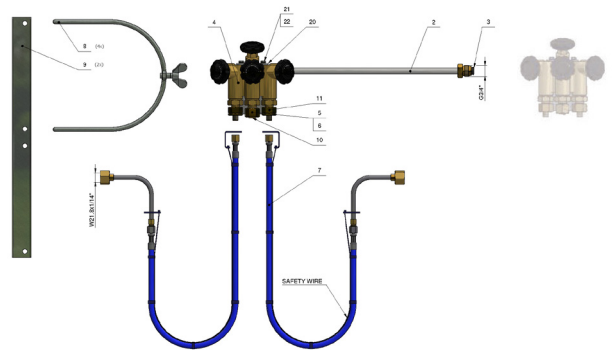
This sub assembly applies as extension for oxygen CGI gas supply systems. The use of non-return valves within the Manyflow valve block prevents unwanted re-filling into connected cylinders and enables constant gas supply. With its flexible hosing, this system allows easy positioning during cylinder re-connection.

SYSTEM HIGHLIGHTS

- +2 cylinders
- Established marine standards
- Modular designed Manyflow valve block
- Inlet check valves
- High pressure shut-off valve
- High pressure hoses comply to ISO 14113

PARAMETERS FOR SUB ASSEMBLY + 2 OXYGEN CYLINDERS

| | |
|-----------------|-------------|
| Inlet pressure: | max 300 bar |
|-----------------|-------------|



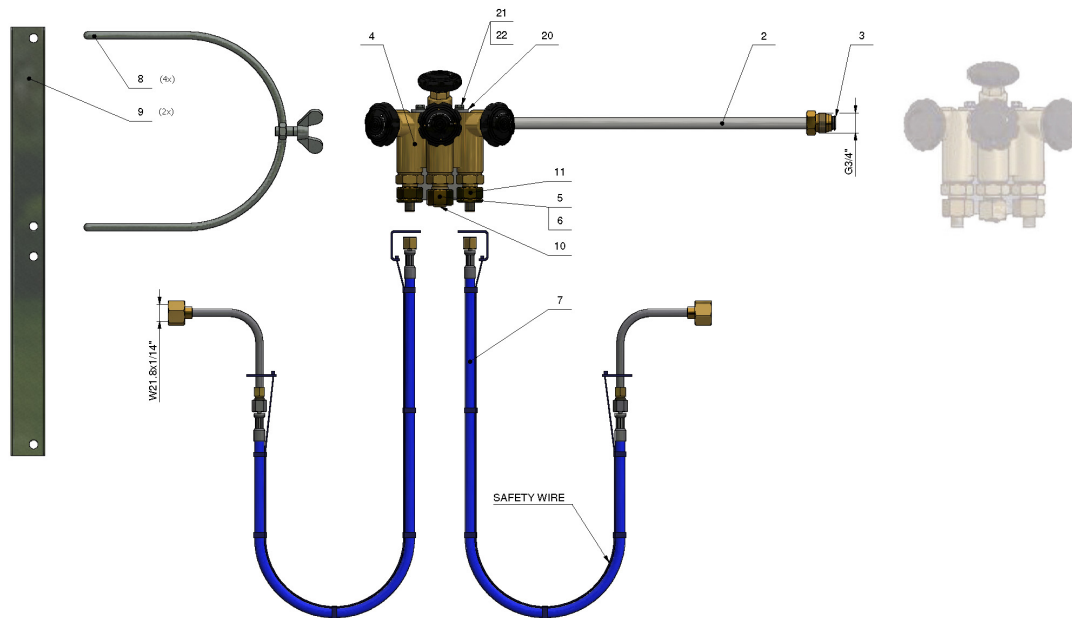
(see enlarged image on back)

TECHNICAL DATA MANYFLOW BLOCK

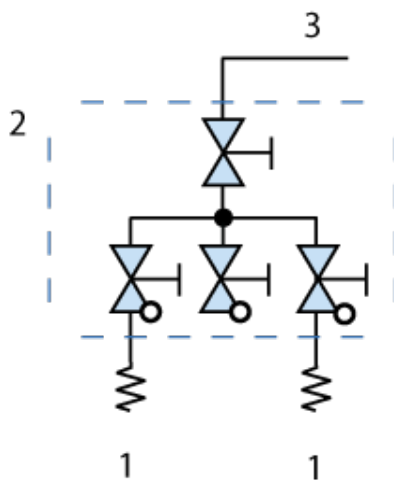
| | |
|------------------------|---|
| Body material | Brass CuZn40 Pb2 (2.0402) |
| Non-return valves | 3x inlet |
| Inlet | 2x G1/4" I.h., 1x plugged |
| Input filter | 3x Monel fine filter |
| Inlet shut-off valves | 3x single, 1x central |
| Outlet | G3/4" rh |
| Quality control | Oxygen shock resistant at 360 bar and 60 °C |
| Extension pipe | 450 mm G3/4"xG3/4", AISI 316L (stainless steel) |
| Cylinder clamp | Zinc plated steel |
| Cylinder bracket | stainless steel |
| HP Hand wheel material | impact resistant MARANYL |



Contact your Drew Marine representative for more information



FLOW SCHEME



ORDERING INFORMATION

| Part No. | Component | PCN |
|----------|--|---------|
| | CGI System complete | 9080128 |
| 1 | High pressure hose W21,8x1/14" - G1/4" | 0783010 |
| 2 | Manyflow valve block | — |
| 3 | Manifold Pipe 600 mm | — |
| | CGI cylinder clamp 4x | 0766016 |
| | Cylinder rack assembly for one Cyl | 9041013 |
| | Cylinder rack assembly for two Cyl | 9042011 |



Contact your Drew Marine representative for more information

Drew Marine maintains Safety Data Sheets on all of its products. These documents contain health and safety information for the development of appropriate product handling procedures to protect your employees. Safety Data Sheets should be read and understood by all of your supervisory personnel and employees before using Drew Marine products.



Drew Marine®

**100 South Jefferson Road
Whippany, NJ 07981 USA
1-973-526-5700
Drew-Marine.com**

Copyright © Drew Marine. All Rights Reserved. All statements, information and data presented herein are believed to be accurate and reliable but are not to be taken as a guarantee, express warranty or implied warranty of merchantability or fitness for a particular purpose, or representation, express or implied, for which seller assumes legal responsibility, and they are offered solely for your consideration, investigation and verification. Statements or suggestions concerning possible use of this product are made without representation or warranty that any such use is free of patent infringement and are not recommendations to infringe on any patent.