

CGI SUB ASSEMBLY FOR 2 TO 3 ACETYLENE CYLINDERS



DESCRIPTION

This gas supply sub-system with 2 high pressure hoses, Manyflow valve block and extension pipe shall be wall mounted using the provided bracket. The CGI Manyflow system uses a unique, unit-body, 3-gas control that accommodates two or three cylinder inputs, each with a integral check valve.

APPLICATIONS

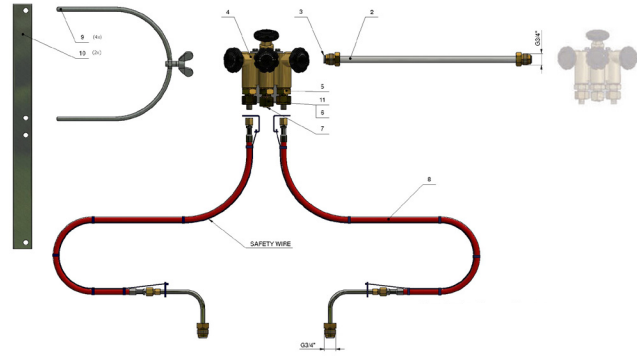
This sub assembly enables the addition of an extension for the acetylene CGI gas supply system. The use of non-return valves within the Manyflow valve block prevents unwanted re-filling into connected cylinders and tenables constant gas supply. With its flexible hosing, this system allows easy positioning during cylinder re-connection.

SYSTEM HIGHLIGHTS

- +2 cylinders
- Established marine standards
- Modular designed Manyflow valve block
- Unintended re-filling excluded by inlet check valves
- High pressure shut-off valve
- High pressure hoses comply to ISO 14113

PARAMETERS FOR SUB ASSEMBLY + 2 ACETYLENE CYLINDERS

Inlet pressure:	max 18 bar
-----------------	------------



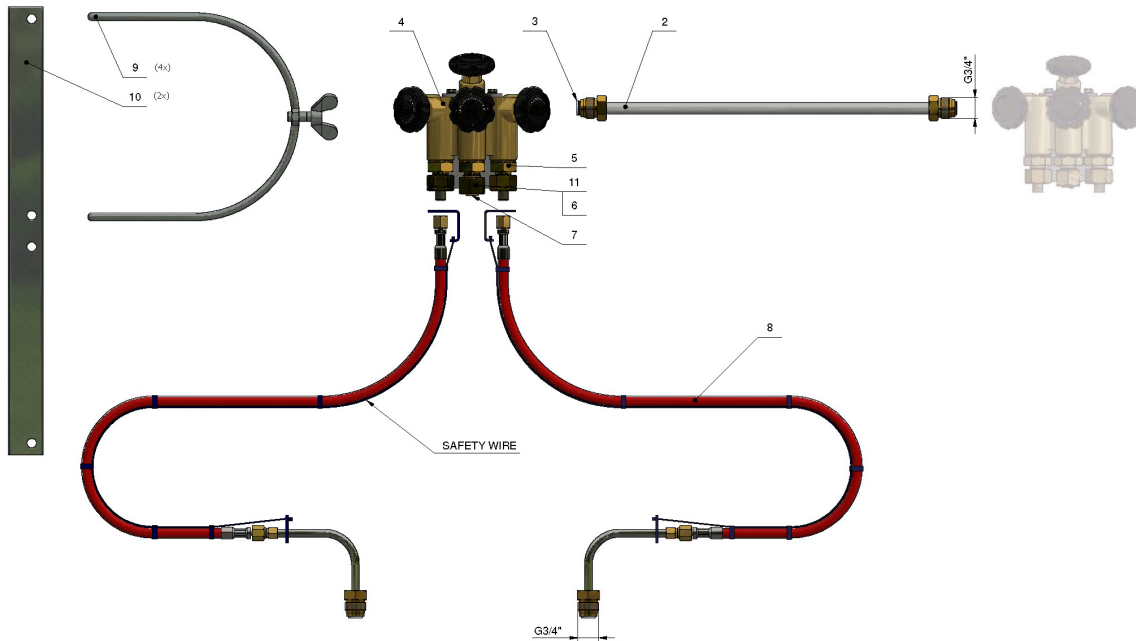
(see enlarged image on back)

TECHNICAL DATA MANYFLOW BLOCK

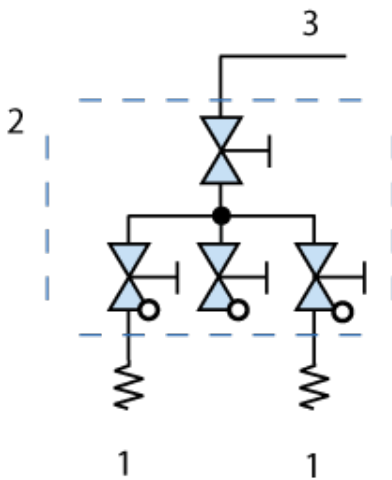
Body material	Brass CuZn40 Pb2 (2.0402)
HP Hand wheel material	impact resistant MARANYL
Non-return valves	3x inlet
Inlet	2x G1/4" I.h., 1x plugged
Inlet shut-off valves	2x single, 1x central
Inlet filter	2x Sintered metal filter
Outlet	ISO G3/4" rh female
Extension pipe	450 mm G3/4"xG3/4", AISI 316L (stainless steel)
Cylinder clamp	Zinc plated steel
Cylinder bracket	stainless steel
Quality control	EN ISO 15615 facilities for high pressure acetylene



Contact your Drew Marine representative for more information



FLOW SCHEME



ORDERING INFORMATION

Part No.	Component	PCN
	CGI System complete	9082124
1	HP hose acetylene ISO, G3/4"/G1/4" lh	0787012
2	Manifold valve block	—
3	Outlet extension tube 600 mm	9083056
	CGI cylinder clamp	0766016
	CGI cylinder clamp 4x	—
	Cylinder rack assembly for one Cyl	9041013
	Cylinder rack assembly for two Cyl	9042011
	Cylinder rack assembly for three Cyl	9043019



Contact your Drew Marine representative for more information

Drew Marine maintains Safety Data Sheets on all of its products. These documents contain health and safety information for the development of appropriate product handling procedures to protect your employees. Safety Data Sheets should be read and understood by all of your supervisory personnel and employees before using Drew Marine products.



Drew Marine®

**100 South Jefferson Road
Whippany, NJ 07981 USA
1-973-526-5700
Drew-Marine.com**

Copyright © Drew Marine. All Rights Reserved. All statements, information and data presented herein are believed to be accurate and reliable but are not to be taken as a guarantee, express warranty or implied warranty of merchantability or fitness for a particular purpose, or representation, express or implied, for which seller assumes legal responsibility, and they are offered solely for your consideration, investigation and verification. Statements or suggestions concerning possible use of this product are made without representation or warranty that any such use is free of patent infringement and are not recommendations to infringe on any patent.