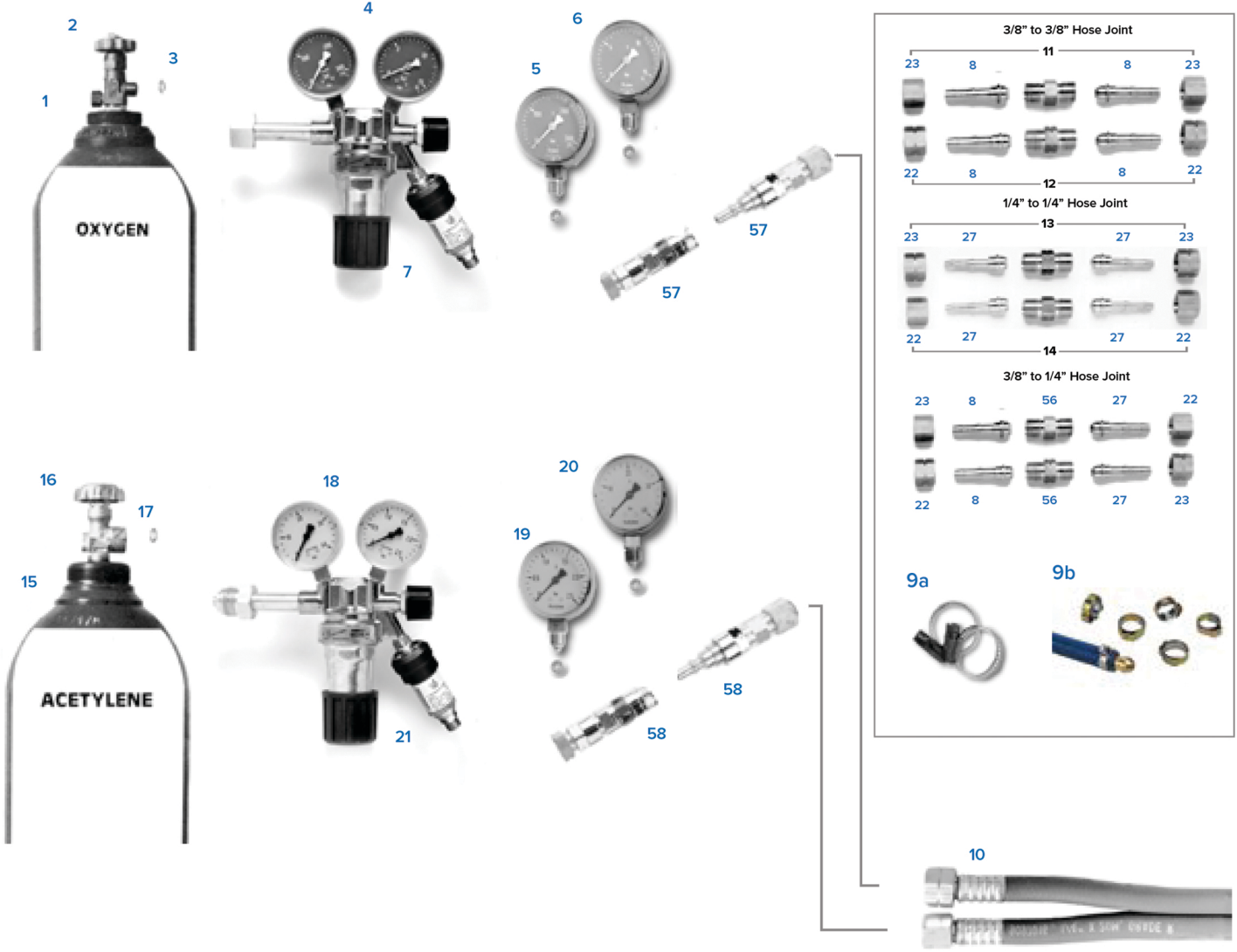


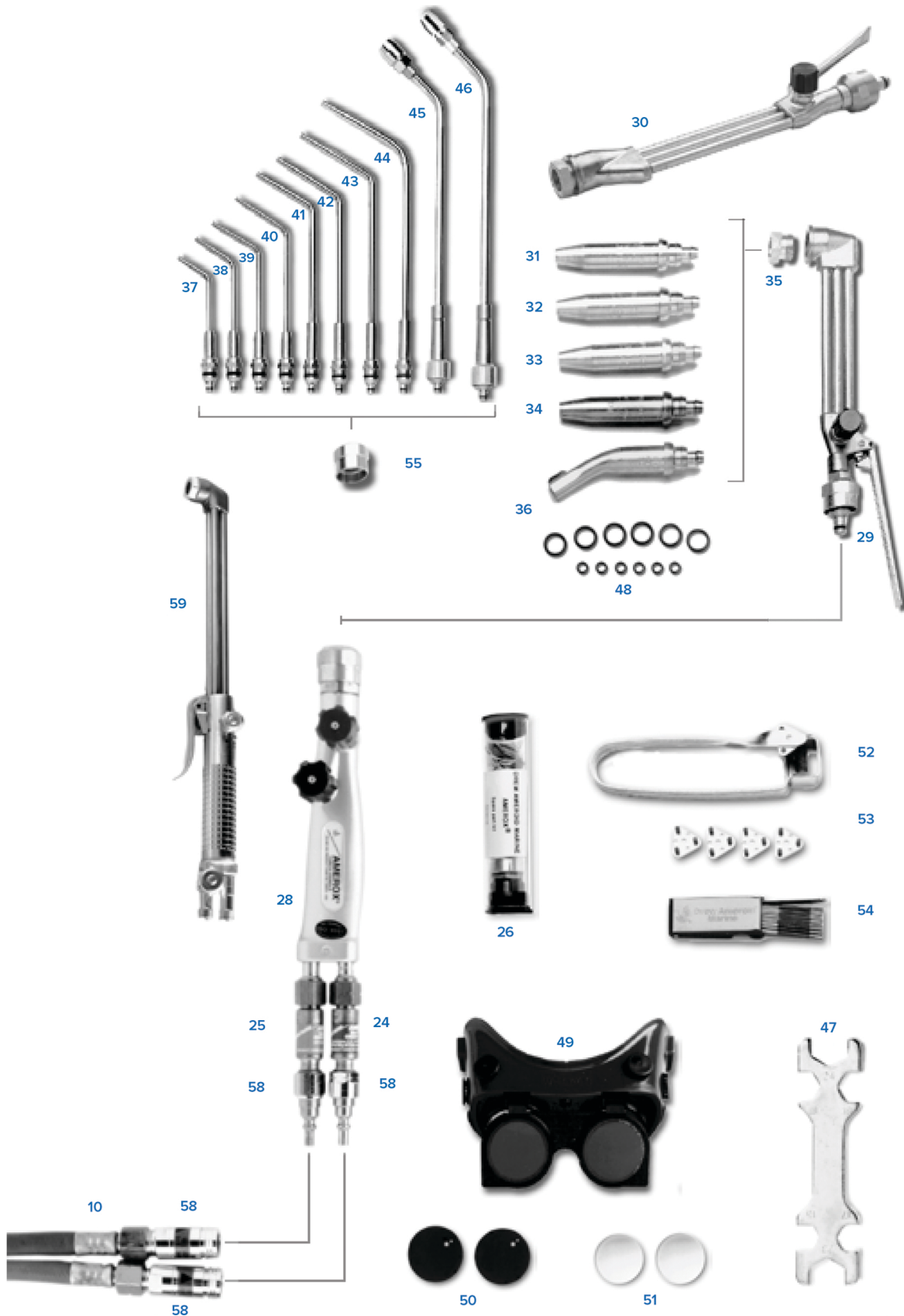
AMEROX® EQUIPMENT IDENTIFICATION GUIDE



- | | | | | | | |
|-------------------------------------|---------|---------------------------------------|---------|-------------------------------------|-------|---------|
| 1. Cylinder OX 40 - Oxygen | 0506016 | 22. Socket Nut 3/8" LH | 0664012 | 44. Welding Blowpipe | 1650L | 0533019 |
| 2. RPV Type, Top Valve Oxygen | 0662016 | 23. Socket Nut 3/8" RH | 0560012 | 45. Multiflame Blowpipe | 2500L | 0534017 |
| 3. Oxygen Regulator, Washer 10/Pkg | 0547010 | 24. Acetylene Flashback Arrestor | 0542010 | 46. Multiflame Blowpipe | 5000L | 0534041 |
| 4. Oxygen Regulator, Cylinder | 0552019 | 25. Oxygen Flashback Arrestor | 0543018 | 47. Spanner | | 0665010 |
| 5. Oxygen Content Gauge | 0553017 | 26. Torch & Regulator Spare Parts Kit | 0545014 | 48. O-Ring Set | | 0728016 |
| 6. Oxygen Working Gauge | 0553017 | 27. Hose Socket 1/4", R3/8" | 0667016 | 49. Welding Goggles 50mm Flip Front | | 0565012 |
| 7. Oxygen Backfire Valve | 0549024 | 28. Welding Torch Handle | 0526014 | 50. Colored Welding Lens 50mm SH5 | | 0566051 |
| 8. Hose Socket 3/8" | 0559015 | 29. Cutting Attachment 90° | 0535015 | 51. Cover Glass 50mm Acetate | | 0567059 |
| 9a. Adjustable Hose Clamp – 2/Pkg | 0666018 | 30. Cutting Torch 180° Angle | 0747024 | 52. Gas Ignitor Triplex | | 0568016 |
| 9b. Ear Clamp 1/4" – 20/Pkg | 0779043 | 31. Cutting Nozzle | 0536013 | 53. Replacement Flints – 4/Pkg | | 0693011 |
| 10. Twin Welding Hose 1/4" 20M | 0779050 | 32. Cutting Nozzle | 0661018 | 54. Cleaning Needles | | 0541012 |
| 11. Twin Welding Hose 3/8", 20M | 9097016 | 33. Cutting Nozzle | 0539017 | 55. Blowpipe/Cutting Attachment Nut | | 0798019 |
| 12. Oxygen Hose Joint 3/8", RH | 9098014 | 34. Cutting Nozzle | 0540014 | 56. House Couplers, 3/8" BSP, Pair | | 0795015 |
| 13. Acetylene Hose Joint 3/8"LH | 0557019 | 35. Nozzle Retainer Nut | 9088015 | 57. Regulator Quick Coupling Pair | | 9039059 |
| 14. Oxygen Hose Joint 1/4" RH | 0556011 | 36. Gouging Nozzle | 0544016 | 58. Torch, Quick Coupling, Pair | | 9039059 |
| 15. Cylinder AC 40 – Acetylene | 0711011 | 37. Welding Blowpipe | 0527012 | 59. Heavy Duty Cutting Torch | | 0554015 |
| 16. Top Valve Acetylene | 0712019 | 38. Welding Blowpipe | 0528010 | | | |
| 17. Acetylene Regulator, Wash 10/PK | 0507014 | 39. Welding Blowpipe | 0529018 | | | |
| 18. Acetylene Regulator – Cylinder | 0663014 | 40. Welding Blowpipe | 0530015 | | | |
| 19. Acetylene Content Gauge | 0546012 | 41. Welding Blowpipe | 0531013 | | | |
| 20. Acetylene Working Gauge | 0550013 | 42. Welding Blowpipe | 0660010 | | | |
| 21. Acetylene Backfire Valve | 0551011 | 43. Welding Blowpipe | 0532011 | | | |
| | 0548026 | | | | | |



▶ Contact your Drew Marine representative for more information



▶ **Contact your Drew Marine representative for more information**

Drew Marine maintains Safety Data Sheets on all of its products. These documents contain health and safety information for the development of appropriate product handling procedures to protect your employees. Safety Data Sheets should be read and understood by all of your supervisory personnel and employees before using Drew Marine products.



Drew Marine®

**400 Captain Neville Drive
Waterbury, CT 06705 USA
1-973-526-5700
Drew-Marine.com**

Copyright © Drew Marine. All Rights Reserved. All statements, information and data presented herein are believed to be accurate and reliable but are not to be taken as a guarantee, express warranty or implied warranty of merchantability or fitness for a particular purpose, or representation, express or implied, for which seller assumes legal responsibility, and they are offered solely for your consideration, investigation and verification. Statements or suggestions concerning possible use of this product are made without representation or warranty that any such use is free of patent infringement and are not recommendations to infringe on any patent.